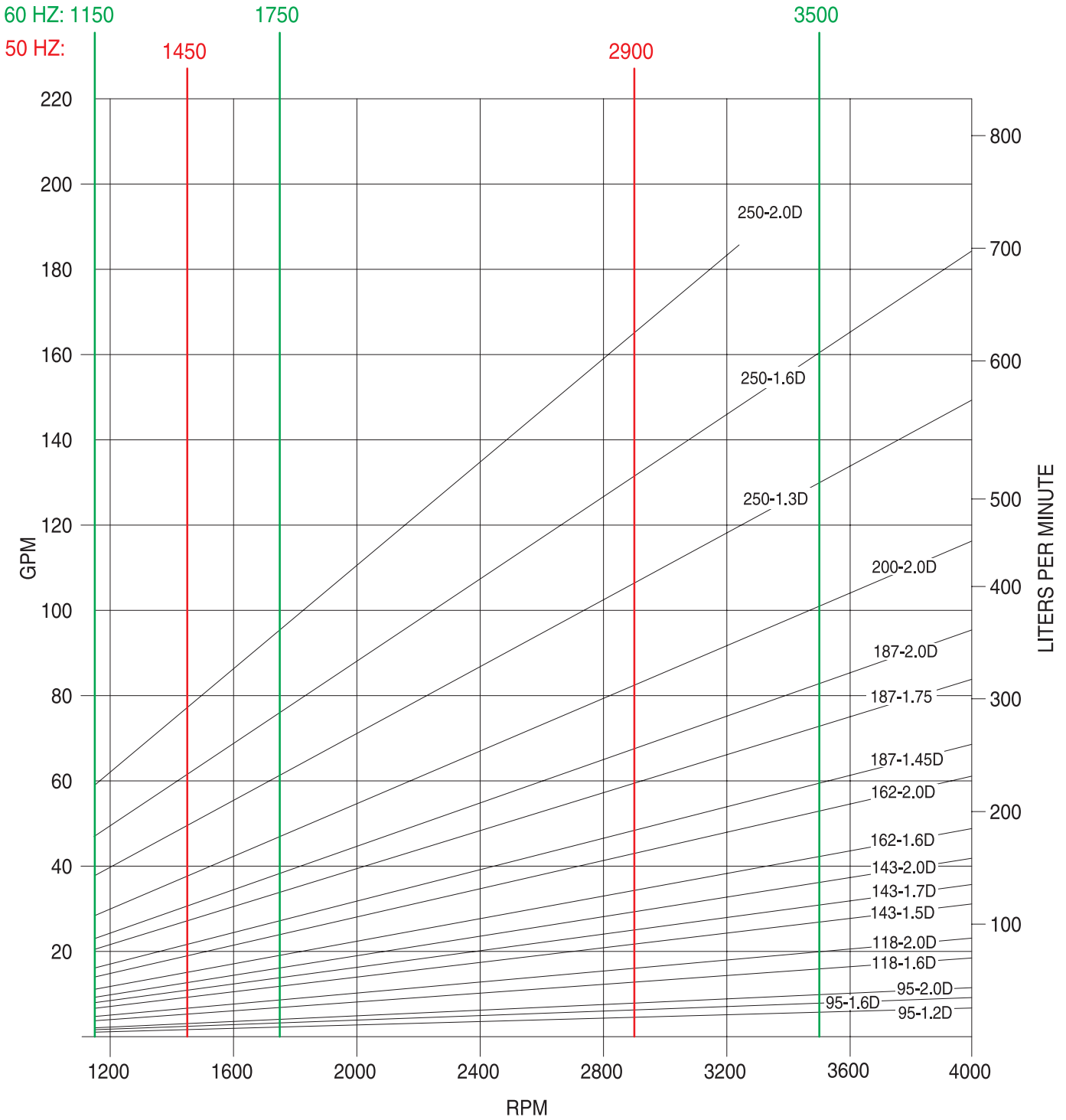


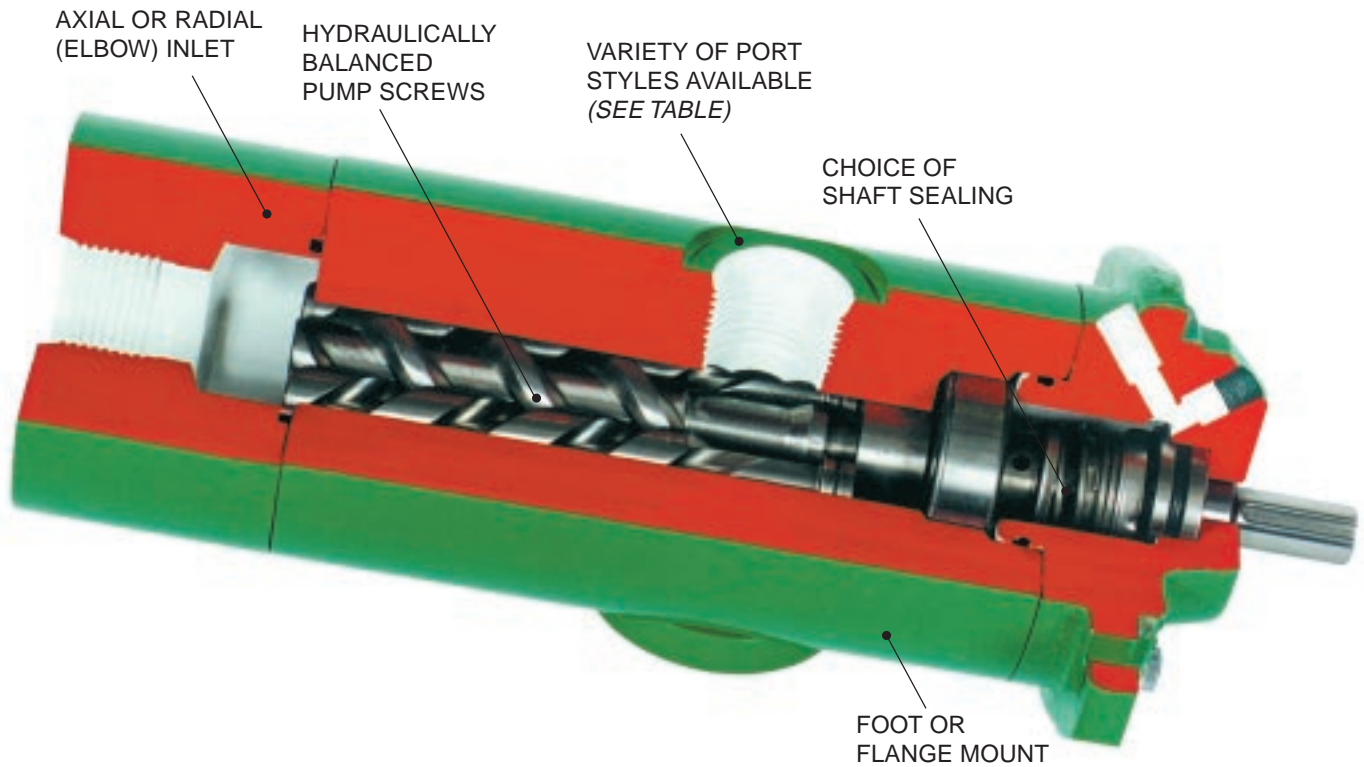


3G Series Three Screw Pumps

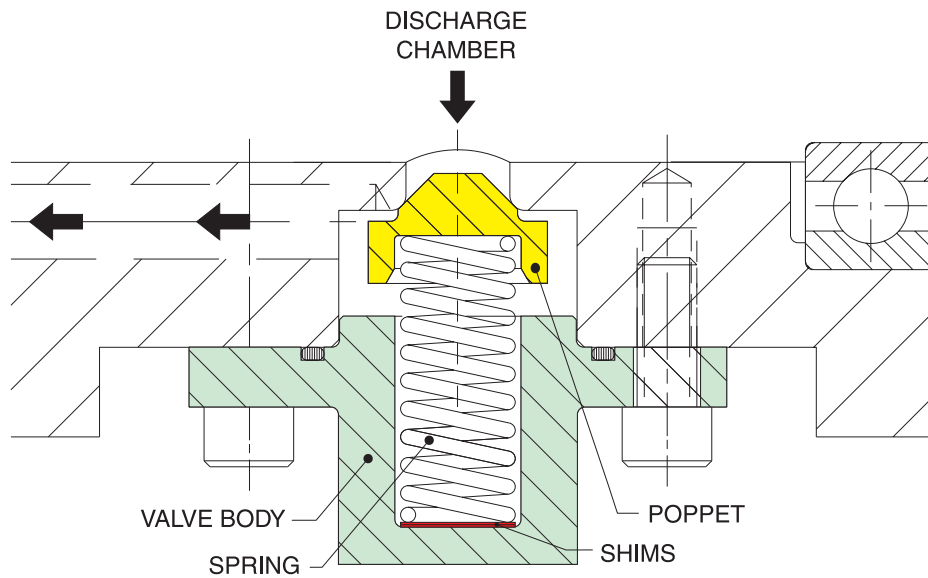
The reliable pump people

Performance Shown at 150 PSID (10 BAR), 200 SSU (43 CST)





Shown Above: 3G-095, Flange Mount Iron Cased Axial Inlet, Built-In Relief Valve



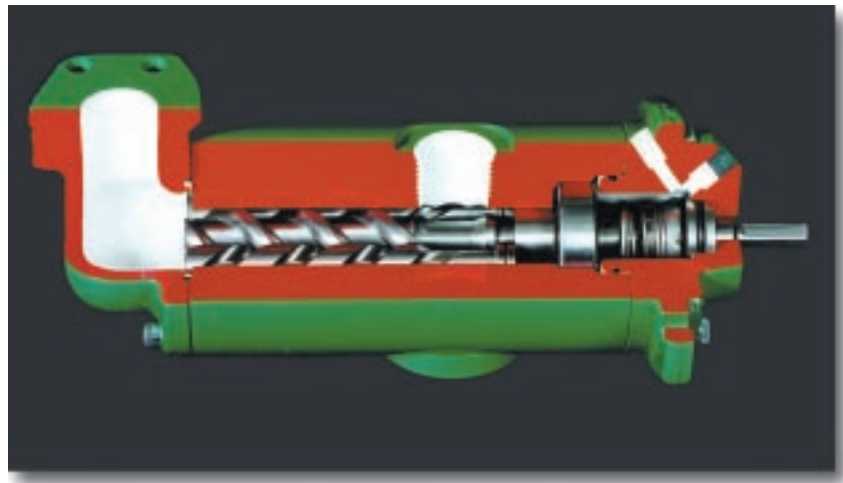
Shown Above: Tamper Resistant Optional Built-In Pressure Relief Valve for sizes 162 and smaller

The 3G series pump is intended for use in lubrication, hydraulic and control oil services such as those found on rotating machinery or other equipment needing forced lubrication, circulation, fluid transfer, distillate fuel burner or similar systems. This series is available in seventeen displacements fitted into five casing sizes. Pump casings are produced from cast iron with the option of cast steel.

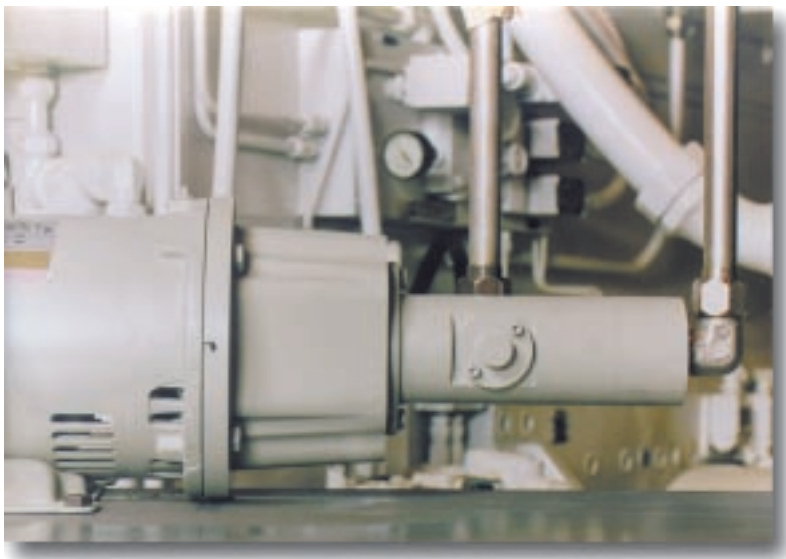
All pumps are fitted with mechanical shaft seals. Inlet porting can be either radial (elbow), rotatable in 90° increments, or axial. An internal tamper resistant relief valve is available as an option. Porting on the 95 through 162 rotor size pumps can be either SAE straight thread or SAE 4-bolt, Code 61, flange pad. Porting on the 187 through 250 pumps is SAE 4-bolt, Code 61, flange pad.

Steel case pumps are equipped with SAE 4-bolt flange pads. An optional in-line relief valve is also available. All SAE flange pads accept 4-bolt, O-ring sealed, Code 61 mating flanges of either socket weld or FNPT style.

Both iron and steel pumps are designed for flange mounting and can be provided with mating foot brackets or pump to motor (C-face) brackets. Flange or foot mounting on rotor sizes 95 through 162 and flange mounting on rotor sizes 187 through 250 allows the pump outlet port to be directed radially in 90° increments. Port options allow almost any global standard connection type. Units can also be supplied for vertical tank mounting.

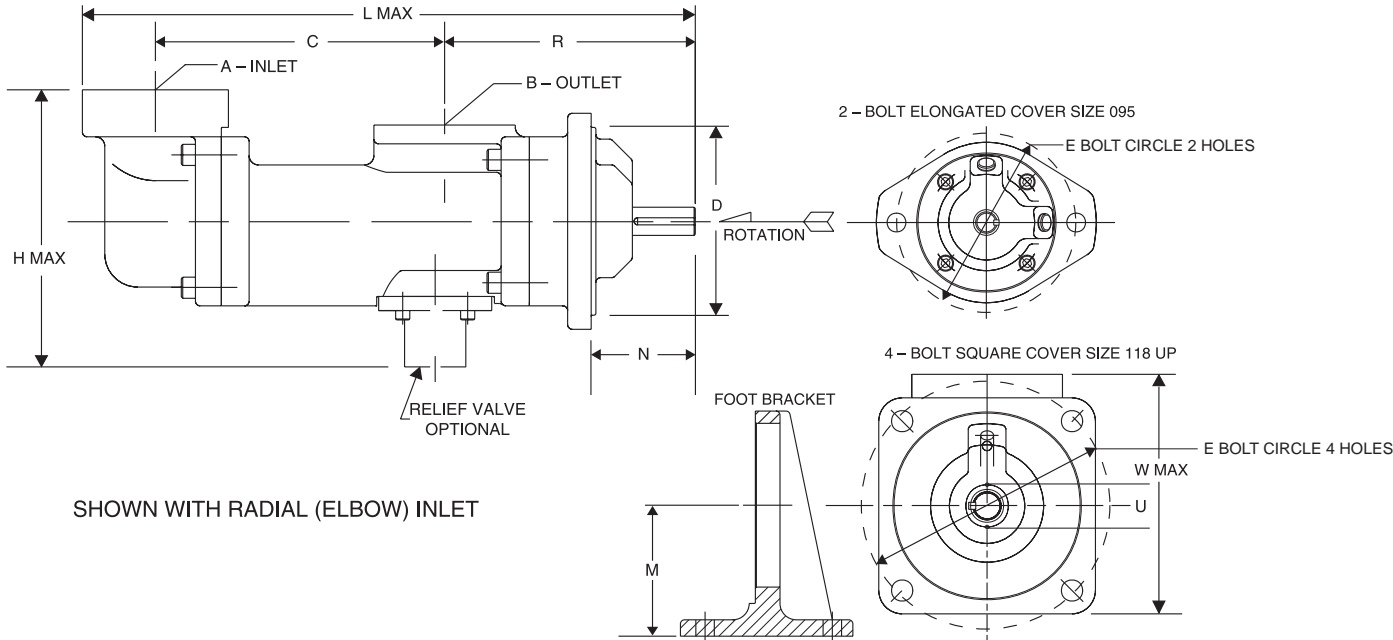


3G095 with radial SAE pad inlet port



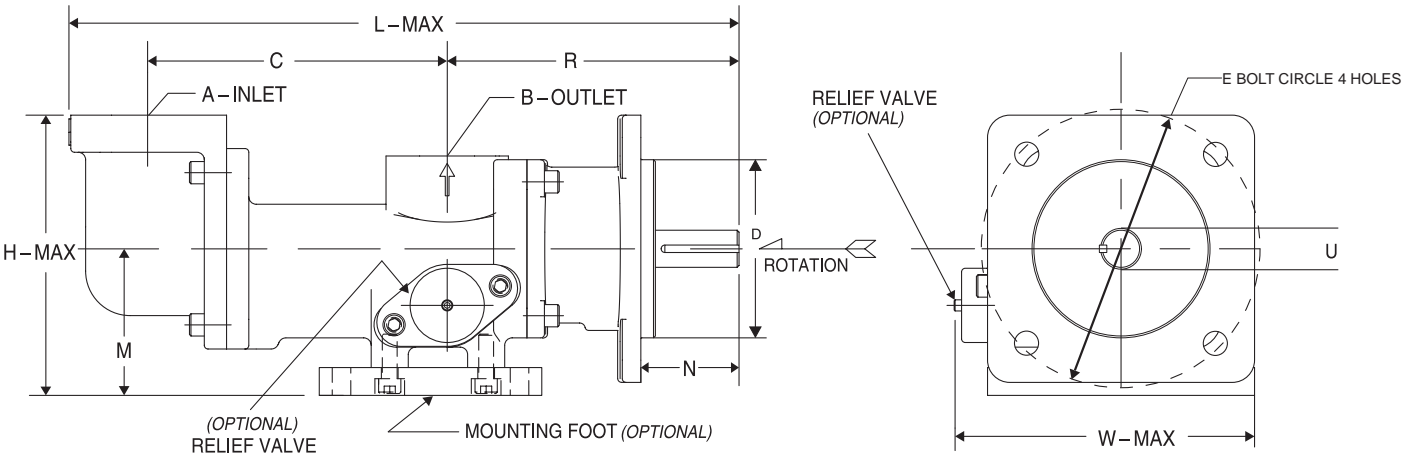
3G095 mounted to a "C" face electric motor on lube oil service

2-210 GPM (7-795 L/M) Pressure to 250 PSIG (17 Bar)



SHOWN WITH RADIAL (ELBOW) INLET

PUMP SIZE	A		B		C		D		E		H		L		M		N		R		U		W		WEIGHT*	
	INCH	MM	INCH	MM	INCH	MM	INCH	MM	INCH	MM	INCH	MM	INCH	MM	INCH	MM	INCH	MM	INCH	MM	INCH	MM	INCH	MM	LBS.	KG
95	1	25.4	3/4	19	4.66	118.4	3.249	82.52	4.19	106.4	4.57	116.1	10.83	275.1	2.25	57.2	1.88	47.8	5.02	127.5	.5	12.7	5.25	133.4	18	8.0
118	1-1/2	38.1	1	25.4	6	152.4	5	127	6.38	162	5.76	146.3	13.91	353.3	4	101.6	2.80	71.1	6.19	157.2	.625	15.875	9	228.6	34	15.4
143/162	2	50.8	1-1/2	38.1	7.67	194.8	5	127	6.38	162	7.57	192.3	16.26	413.1	4	101.6	2.76	70.1	6.65	168.9	.75	19.05	7.75	196.9	44	20.0



PUMP SIZE	A		B		C		D		E		H		L		M		N		R		U		W		WEIGHT*	
	INCH	MM	INCH	MM	INCH	MM	INCH	MM	INCH	MM	INCH	MM	INCH	MM	INCH	MM	INCH	MM	INCH	MM	INCH	MM	INCH	MM	LBS.	KG
187/200	3	76.2	2	50.8	10.06	255.5	6	152.37	9	228.6	9.44	239.8	22.52	572	4.94	125.5	3.31	84.1	9.84	249.9	1.250	31.75	5.62	142.7	117	53
250	4	101.6	2-1/2	63.5	12.61	320.3	6	152.37	9	228.6	10.19	258.8	25.84	656.3	4.94	125.5	3.31	84.1	10.21	259.3	1.250	31.75	5.62	142.7	131	59.4

* Inlet and Outlet are SAE 4-bolt 3000 PSI flange pads.
 * Flange mounted version. Weights exclude port adapters and mounting foot bracket/plate.

For a more detailed view of the above referenced outline drawings, please refer to our website at <http://www.imo-pump.com>

- Casing** Cast iron or cast steel.
- Rotors** Power rotor is ductile (nodular) iron. Idler rotors are gray iron.
- Shaft Seal**
 - Type V: Fluoroelastomer bellows mechanical seal with carbon on ni-resist faces, fluoroelastomer O-rings, recommended for viscosities below 3000 SSU (650 CST) and distillate fuel oils.
 - Type H: Metal bellows balanced, positive drive mechanical seal with carbon on silicon carbide faces, fluoroelastomer O-rings, recommended for viscosities above 3000 SSU (650 CST) or for closer compliance with API.
 - Type J: Balanced, positive drive mechanical seal with neoprene O-rings for high inlet pressure / low differential pressure applications.
 - Type N: No shaft seal (must use mounting option I).

Bearing Internal, ball type.

Relief Valve Optional internal, tamper resistant, built-in pressure relief valve for viscosities not exceeding 1500 SSU (324 CST). Specify differential set pressure in 15 PSI (1.03 BAR) increments, i.e. 60, 75...210. **(This relief valve is intended for momentary protection for the pump against overpressure. It is not intended to be a system pressure control device).** Minimum set pressure is 60 PSID (4.1 BAR). Maximum set pressure is 210 PSID (14.5 BAR). An optional in-line relief valve with external return-to-tank connection is also available.

Viscosity Range 32 to 3000 SSU (2 to 650 CST) type "V" seal.
32 to 15,000 SSU (2 to 3200 CST) type "H" seal.

Inlet Pressure 50 PSIG (3.4 BAR) normal maximum.
300 PSIG (20.7 BAR) optional maximum (Contact factory).

Outlet Pressure 250 PSIG (17 BAR) maximum [(to 300 PSIG (20.7 BAR) with inlet at 50 PSIG (3.4 BAR)]. Operation at differential pressures below 40 PSI (2.8 BAR) may require pump modification- consult Imo Pump with full operating range data.

Temperature 0 to 225°F (-18 to 107°C)

Drive/Rotation Direct only. Clockwise facing pump shaft standard. Counterclockwise optional.

Speed Size 95: 5000 rpm maximum. Sizes 118-200: 4000 rpm maximum. Size 250 1.3D & 1.6D leads: 4000 rpm maximum. Size 250 2D lead: 3250 rpm maximum.

Mounting May be foot or flange mounted in any orientation. Vertical tank mounts available.

Connections

Inlet Port Type	Port Type Availability	
	Iron Case	Steel Case
Axial SAE Straight Thread	Yes	No
Axial SAE 4-Bolt Pad, Code 61	Yes	Yes
Radial SAE Straight Thread	Yes	No
Radial SAE 4-Bolt Pad, Code 61	Yes	Yes
Outlet Port Type	Iron Case	Steel Case
Radial SAE Straight Thread	Yes	No
Radial SAE 4-Bolt Pad, Code 61	Yes	Yes

Straight thread for use with O-ring fittings. SAE pad is for use with mating SAE 4-bolt 3000 PSI flanges.

Filtration Inlet strainers are required to keep contaminants and abrasives out of the pump and must be selected in consultation with the strainer vendor to prevent pump starvation. Normally, 60 mesh (0.01 inch- 238 micron) for light and 1/8-3/16 inch (3-5mm) openings for heavy oils are recommended. Return line filters for closed loop systems also recommended.

Accessories Completely mounted pump/driver assemblies with baseplates or NEMA 'C' face motor adapters are available.

Model Code Nomenclature

Model No. Code Example AA 3G / N V I J F B 118SP 000

Design Sequence

Pump Series

Separator

Fixed Designator

Seals

V = Fluorocarbon Bellows mechanical seal, carbon on Ni-resist, Fluorocarbon O-rings

H = Metal bellows balanced mechanical seal, carbon on silicon carbide, Fluorocarbon O-rings

N = No shaft seal (must use mounting "I"), Fluorocarbon O-rings

J = Metal Bellows balanced mechanical seal, carbon on silicon carbide, Neoprene O-rings

Case Material and Outlet Port

I = Iron case, SAE straight thread port**

P = Iron case, SAE 4-bolt port pad

S = Steel case, SAE 4-bolt port pad

X = Special

**Not available on Rotor Sizes 187 thru 250

Inlet Port

J = Axial inlet, SAE straight thread port**

K = Axial inlet, SAE 4-bolt port pad

L = Radial inlet, SAE straight thread port**

M = Radial inlet, SAE 4-bolt pad

095 Size only

N = Axial inlet, SAE straight thread port**

P = Axial inlet 4-bolt port pad

R = Radial inlet, straight thread port**

S = Radial inlet 4-bolt port pad

**Not Available on Rotor Sizes 187 thru 250

All sizes above 095

Designator for Special Modifications

Size/Lead/Rotation

- 095AE = 1.2D, CW
- 095AF = 1.2D, CCW
- 095SP = 1.6D, CW
- 095SR = 1.6D, CCW
- 095SC = 2.0D, CW
- 095SD = 2.0D, CCW
- 118SP = 1.6D, CW
- 118SR = 1.6D, CCW
- 118SC = 2.0D, CW
- 118SD = 2.0D, CCW
- 143SJ = 1.5D, CW
- 143SK = 1.5D, CCW
- 143SE = 1.7D, CW
- 143SF = 1.7D, CCW
- 143SC = 2.0D, CW
- 143SD = 2.0D, CCW
- 162SP = 1.6D, CW
- 162SR = 1.6D, CCW
- 162SC = 2.0D, CW
- 162SD = 2.0D, CCW
- 187SY = 1.45D, CW
- 187SZ = 1.45D, CCW
- 187SM = 1.75D, CW
- 187SN = 1.75D, CCW
- 187SC = 2.0D, CW
- 187SD = 2.0D, CCW
- 200SC = 2.0D, CW
- 200SD = 2.0D, CCW
- 250AL = 1.3D, CW
- 250AM = 1.3D, CCW
- 250SP = 1.6D, CW
- 250SR = 1.6D, CCW
- 250SC = 2.0D, CW
- 250SD = 2.0D, CCW

Relief Valve Set Range (Limit 1500 ssu)

- A = No relief valve
 - B = 60/75 psi differential
 - C = 90/105/120 psi differential
 - D = 135/150/165 psi differential
 - E = 180/195/210 psi differential
- Iron Pump only
In-line relief valve option available

Mounting

- C = SAE flange mount
 - F = Foot mount
 - I = Integral flange mount
- (note: must specify "N" for "Seals")

Imo Pump is proud to be a member of the Colfax Pump Group associated with Allweiler Pump of Radolfzell, Germany, Houttuin Pump of Utrecht, The Netherlands, Warren Pump of Warren, Massachusetts, USA, providing World-Class fluid handling equipment and services to a global market.

Imo Pump means in a word, Performance. Imo Pump's "Performance Over Time" provides the best overall value by providing low maintenance or lengthy service intervals and efficient product operation or low energy costs, which results in the lowest "Total Cost of Ownership".

All of Imo Pump's products are designed to be of "Heavy Duty - Industrial Grade" construction and certain models are designed specifically for "Severe Duty" services such as Marine, Power Generation or Process Applications.

Imo Pump is fully qualified to respond on all of the imposed quality and design standards provided, such as Military Standards, ABS, ANSI, ASME, SAE, ISO-9000, CE, UL, CSA, NEMA and ISO, among others.

Imo Pump maintains a fully qualified staff of experienced Application Engineers, Technical Sales Engineers, Product Engineers, Service Engineers and Draftsmen capable of handling the most demanding applications.

We are responding to our customer needs with efficient, reliable products capable of handling a wide range of fluids over a long service life.

Our QuickServe Department processes internet and credit card orders. Most repair kits can be shipped same or next business day delivery saving valuable down time. Visit out our E-Commerce site on the web or call our customer service department to place your order today!

www.imo-pump.com



Quality Management System

Bulletin 3G-00 ©2000 Imo Pump All rights reserved.



A Member of the COLFAX PUMP GROUP

Imo Pump
 PO Box 5020 (zip 28111-5020)
 1710 Airport Road
 Monroe, NC 28110 USA
 Phone: 704.289.6511
 Fax: 704-289.9273
 Email: imo.pump@colfaxcorp.com
 Web: www.imo-pump.com



ALLWEILER



HOUTTUIN



IMO PUMP



WARREN



Bulletin 3G-00

The reliable pump people